

# Product Datasheet

**Product Name: Input Metered PDU**

**SKU:AKN143065U**

**MODEL:K12HTJ8-24W3608A1791EES01-2QT**

**Product Code:K12HTJ8-24W3608A1791EES01-2QT**

## Overview

The Apislogik Input Metered PDU can monitor input parameters in real-time, such as current, voltage, frequency, power factor, power load, energy measurement, temperature, and humidity. The voltage and current accuracy is  $\pm 1\%$ . The power and energy accuracy is  $\pm 2\%$ . The measured data can be transmitted via the network port.

## Features

### ■ Input

Support for IEC60309, NEMA, UK, SCHUKO, HARTING, TEC etc.

### ■ Output

Support for C13, C19, C39, NEMA, UK, SCHUKO, IEC self-locking socket.

### ■ Hydraulic magnetic circuit breaker

Stable operation in environments with a temperature of 140°F/60°C. Provides respective protection for each branch of output. (Note: Not all models provide hydraulic magnetic circuit breakers)

### ■ Hot-swap LED indicator lights

Customers can replace hot-swap LED indicator lights without powering off the system. (Note: Not all models have hot-swap LED indicator lights)

### ■ Mounting method

Toolless mounting peg and bracket mounting, two types of mounting options are available for selection.

### ■ Hot-swap network management meter

Allows users to replace the NMM (Network Management Meter) without shutting down the PDU.

The NMM supports SNMP V1, V2, V3, HTTP, MODBUS, TELNET, WEB, encryption, password, and authorization options.

### ■ Ports and Cascading

Provides 2 RJ45 ports and 2 RJ11 ports.

The 2 RJ45 ports, one is a 10/100M port, supporting both Ethernet and RS485 with auto-negotiation. The other port is an RS485 cascading port, supporting 1 master and 19 slave devices to be connected in a cascade. Up to 20 PDUs can share a single IP address.

The 2 RJ11 ports consist of 1 temperature and humidity sensor port and 1 leak sensor or smoke sensor port.

### ■ LCD display

Allows local access, providing user interactive display of voltage, current or active power, alarms, configuration information, and more.

### ■ Alarms and logs

Provides real-time remote monitoring of the output power Load . Alarm thresholds can be configured, and both network and visual alarms are available. The logs include the most recent events along with their date and time of occurrence. Up to 100 events are stored and displayed in the logs.

## Specifications

<b>Input Parameters</b>	
Input voltage	208 Y/120 V 3-phase, 3W+N+G
Max current(phase)	30A
Rate current (phase)	24A
Input frequency	50/60Hz
Power capacity	8.6KW
Input plug	NEMA L21-30P
Input wire	( 118.11in ) 5*10AWG
<b>Output Parameters</b>	
Output voltage	208 V/120 V AC
Max current(phase)	30A
Rate current(phase)	24A
Output frequency	50/60Hz
Outlets	(36) 208V UL 320 C13 (6) 208V UL 320 C19 (2) 120V NEMA 5-20R
<b>Protective Device</b>	
Circuit breaker	3*20A/2P
<b>Physical Parameters</b>	
Rack mount	0U
Shell color	Black
Shell material	Aluminum Alloy
Power input method	Top feed

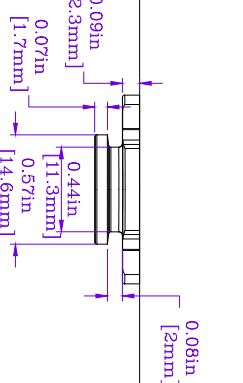
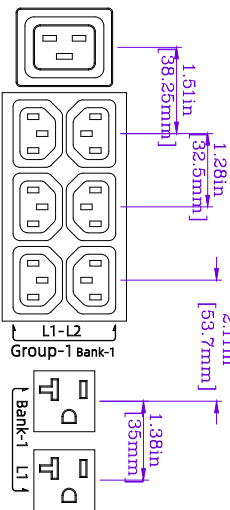
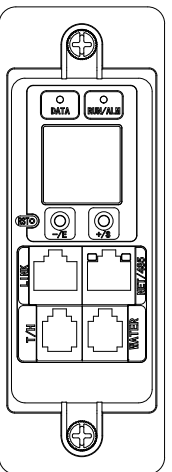
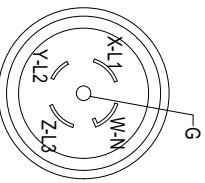
Mounting location	Dual-sided
Mounting mode	Bracket / Peg
Dimensions(H*W*D)	70.51 in*2.19 in*1.93 in 1791 mm*55.5 mm*49 mm
Net weight	17.2 lb 7.8 kg
Shipping dimensions(H*W*D)	82.68 in*3.43 in*4.53 in 2100 mm*87 mm*115 mm
<b>Environmental Parameters</b>	
Operating elevation	0-10000 ft 0-3000 m
Operation Temperature	14°F~140 °F -10°C~60°C
Humidity(operation/storage)	5-95%RH, non-condensing
Storage Temperature	-4°F~158 °F -20°C~70 °C
Storage elevation	0-50000 ft 0-15000 m
<b>Compliance</b>	
Certification	FCC、UL、CUL、REACH、RoHS

\* Product Characteristics subject to change without prior notice.

\* Disclaimer: This documentation is not intended as a substitute for and is not to be used for determining suitability or reliability of these products for specific user applications

<b>Version History</b>					
Version	Description	Draft	Review	Approval	Date
V2.0	First version	NAN LI	LQ LI	YH CHEN	07/05/2024

(NEMA L21-30P PLUG-ENLARGED)

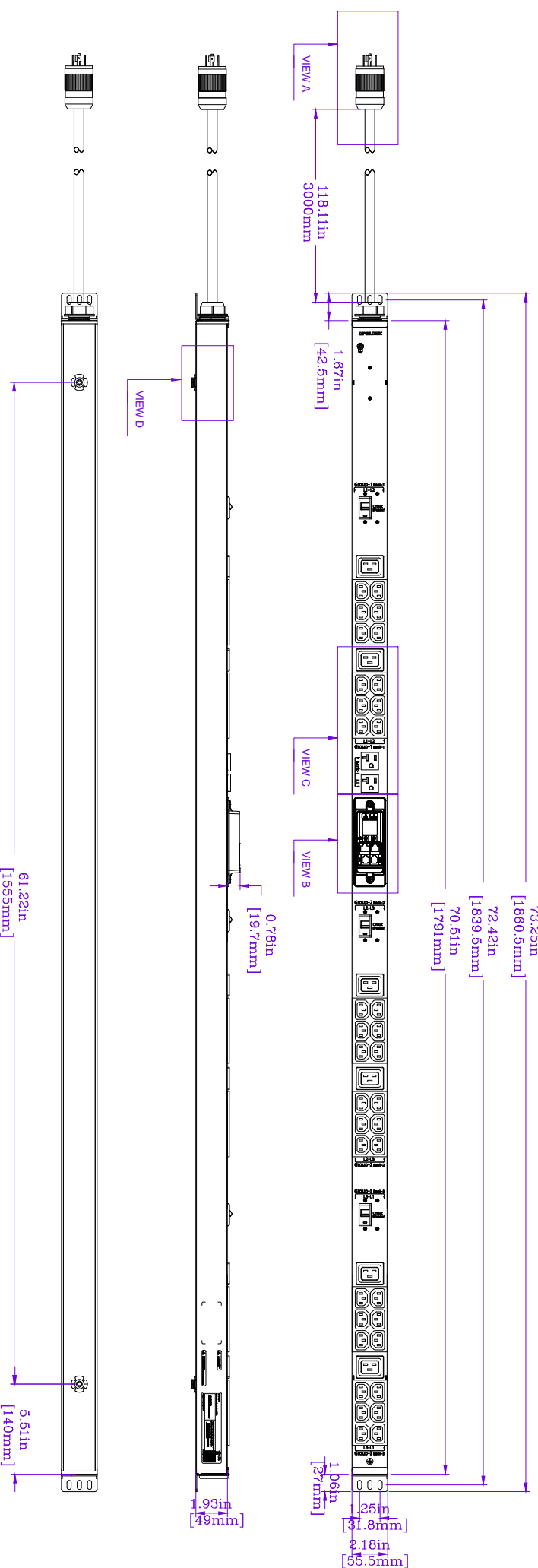


VIEW A

VIEW B

VIEW C

VIEW D



REV.	DESCRIPTION	DRAWN	CHECKEN	APP'D	DATE
A	First edition	LQ LI	NAN LI	YH CHEN	8/5/2024
B					
C					
D					
E					

**NOTES:**  
 1. INSTALLATION SHALL COMPLY WITH ALL APPLICABLE NATIONAL, STATE AND LOCAL CODES.  
 2. PLEASE REFER TO PRODUCT DOCUMENTATION FOR FURTHER INFORMATION.  
 3. UNLESS OTHERWISE SPECIFIED, ALL DIMENSIONS ARE IN INCHES (MILLIMETERS).

**APISLOGIK PROPRIETARY AND CONFIDENTIAL INFORMATION**  
 This document is the property of APISLOGIK and contains proprietary information of APISLOGIK. This document is loaned on the express condition that neither it nor the information contained herein shall be disclosed to others without the express written consent of APISLOGIK, and that the information shall be used by the recipient only as approved expressly by APISLOGIK. This document shall be returned to APISLOGIK upon its request.

Product Name: Input Metered PDU  
 Input Cable: 118.11 in 5\*10AWG  
 Output: (96) UL 320 C19  
 (6) UL 320 C19  
 (2) NEMA 5-20R  
 Enclosure Material: Aluminum Alloy  
 Enclosure Color: Black

Rack Unit: 0U  
 Incoming Mode: Top Feed  
 Circuit Breaker: (3) 20A/2P  
 Mounting Location: Dual-sided  
 Enclosure Color: Black

IN PUT: 208 V/120 V 3-PHASE; 3W+N+PE; 50/60Hz; 24A  
 OUT PUT: 16A PER BANK; 24A PER PHASE TOTAL  
 C19; 208V 12A PER OUTLET; 16A PER GANG  
 5-20R; 120V 16A PER OUTLET

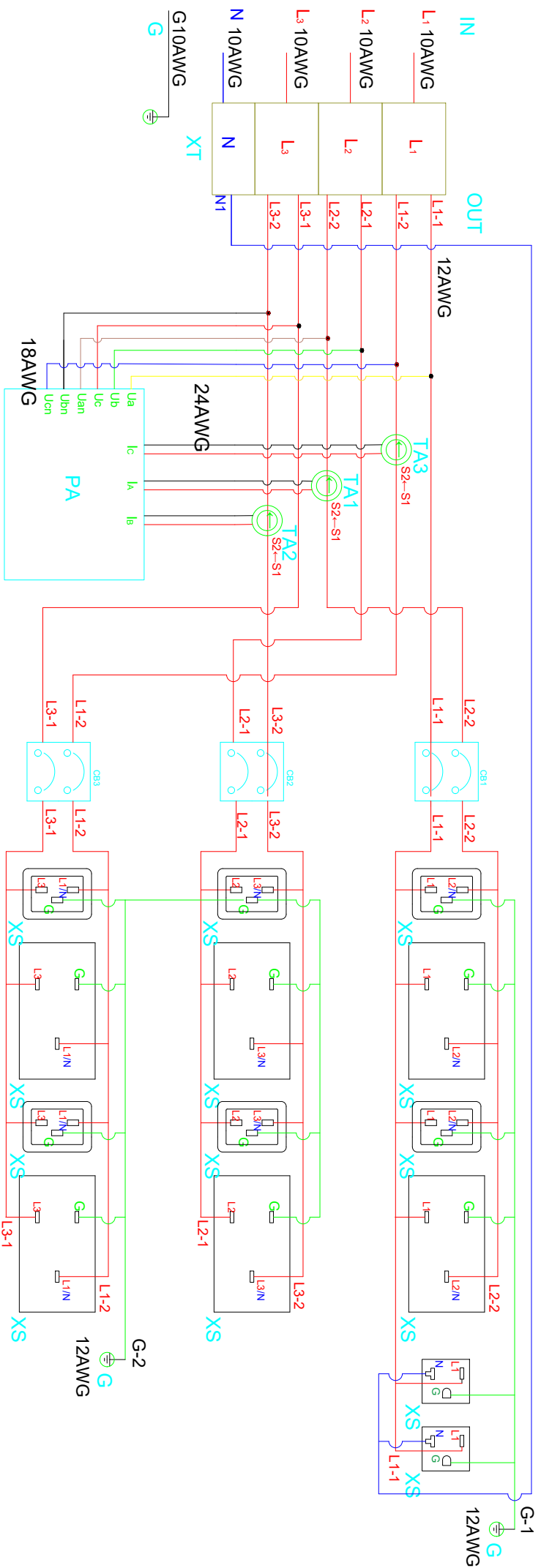
**APISLOGIK**

DWG NO.	HW.039240508103	SKU	AKN143065U
MODEL	K12HTJ6-24W/360A/179/IEES01-2OT	PRODUCT CODE	K12HTJ6-24W/360A/179/IEES01-2OT

**DO NOT SCALE DRAWING**

SHEET 1 OF 2 REV. A

Symbol Interpretation			
XT	Terminal blocks	IN	Input
TA	Current transformer	OUT	Output
PA	Intelligent meter	F	Hot plug lightning protection
XS	Jack	CB	Circuit breaker
PE	landing	S1/S2	Current transformer Input /output



Note: The color of the connecting line is only for reference to the phase pole, and the actual color is subject to the actual material.

REV.	DESCRIPTION	DRAWN	CHECKEN	APPD	DATE
A	First edition	LQ LI	NAN LI	YH CHEN	8/5/2024
B					
C					
D					
E					

**NOTES:**  
 1. INSTALLATION SHALL COMPLY WITH ALL APPLICABLE NATIONAL, STATE AND LOCAL CODES.  
 2. PLEASE REFER TO PRODUCT DOCUMENTATION FOR FURTHER INFORMATION.  
 3. UNLESS OTHERWISE SPECIFIED, ALL DIMENSIONS ARE IN INCHES (MILLIMETERS).

APISLOGIK PROPRIETARY AND CONFIDENTIAL INFORMATION  
 This document is the property of APISLOGIK and contains proprietary information of APISLOGIK. This document is loaned on the express condition that neither it nor the information contained shall be disclosed to others without the express written consent of APISLOGIK, and that the information shall be used by the recipient only as approved expressly by APISLOGIK. This document shall be returned to APISLOGIK upon its request.

Product Name: Input Metered PDU  
 Input Cable: 118.11 in 5\*10AWG  
 Outlet: (96) UL 320 C19  
 (6) UL 320 C19  
 (2) NEMA 5-20R  
 Enclosure Material: Aluminum Alloy  
 Enclosure Color: Black

Rack Unit: 0U  
 Incoming Mode: Top Feed  
 Circuit Breaker: (3) 20A/2P  
 Mounting Location: Dual-sided  
 Enclosure Color: Black

INPURT: 208 V/120 V, 3-PHASE, 3W+N+PE, 50/60Hz, 24A  
 OUTPUT: 16A PER BANK, 24A PER PHASE TOTAL  
 C19, 208V, 16A PER OUTLET  
 C13, 208V, 12A PER OUTLET, 16A PER GANG  
 5-20R, 120V, 16A PER OUTLET

**APISLOGIK**

DWG NO.	HW: 039240508103	SKU	AKN142065U
MODEL	K12HTJ6-24W360A179IEES01-2OT	PRODUCT CODE	K12HTJ6-24W360A179IEES01-2OT

DO NOT SCALE DRAWING

SHEET 2 OF 2 REV. A