

# Product Datasheet

**Product Name: Basic PDU**

**SKU:AKB002030U**

**MODEL:K10ATA4-16S0024A1791EES01-2QT**

**Product Code:K10ATA4-16S0024A1791EES01-2QT**

## Overview

The Apislogik Basic PDU provides rack power distribution via a single input with multiple output receptacles and distributes power from low amperage single-phase circuits to higher-power 3-phase solutions. There are various types of input plugs, output receptacles, and protective devices available for mixing and matching. Installation methods, colors, and sizes can be chosen to meet your specific requirements.

## Features

### ■ Input

Support for IEC60309, NEMA, UK, SCHUKO, HARTING, TEC etc.

### ■ Output

Support for C13, C19, C39, NEMA, UK, SCHUKO, IEC self-locking socket.

### ■ Hydraulic magnetic circuit breaker

Stable operation in environments with a temperature of 140°F/60°C. Provides respective protection for each branch of output. (Note: Not all models provide hydraulic magnetic circuit breakers)

### ■ Hot-swap LED indicator lights

Customers can replace hot-swap LED indicator lights without powering off the system. (Note: Not all models have hot-swap LED indicator lights)

### ■ Mounting method

Toolless mounting peg and bracket mounting, two types of mounting options are available for selection.

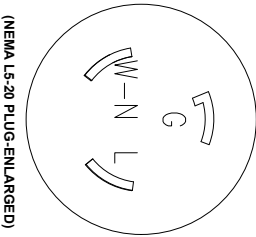
## Specifications

<b>Input Parameters</b>	
Input voltage	100-120 V AC
Max current(phase)	20A
Rate current (phase)	16A
Input frequency	50/60Hz
Power capacity	1.9 KW
Input plug	NEMA L5-20P
Input wire	(118.11in) 3*12AWG
<b>Output Parameters</b>	
Output voltage	100-120 V AC
Max current(phase)	20A
Rate current(phase)	16A
Output frequency	50/60Hz
Outlets	(24) NEMA 5-20R
<b>Protective Device</b>	
Circuit breaker	\
<b>Physical Parameters</b>	
Rack mount	0U
Shell color	Black
Shell material	Aluminum Alloy
Power input method	Top feed
Mounting location	Dual-sided
Mounting mode	Bracket / Peg
Dimensions(H*W*D)	70.51 in*2.19 in*1.93 in 1791 mm*55.5 mm*49 mm
Net weight	11.5 lb 5.2 kg
Shipping dimensions(H*W*D)	82.68 in*3.43 in*4.53 in 2100 mm*87 mm*115 mm
<b>Environmental Parameters</b>	
Operating elevation	0-10000 ft 0-3000 m
Operation Temperature	14°F~140 °F -10°C~60°C
Humidity(operation/storage)	5-95%RH, non-condensing
Storage Temperature	-4°F~158 °F -20°C~70 °C
Storage elevation	0-50000 ft 0-15000 m
<b>Compliance</b>	
Certification	UL、CUL、RoHS、REACH

\* Product Characteristics subject to change without prior notice.

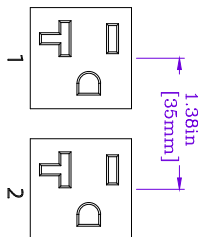
\* Disclaimer: This documentation is not intended as a substitute for and is not to be used for determining suitability or reliability of these products for specific user applications

<b>Version History</b>					
<b>Version</b>	<b>Description</b>	<b>Draft</b>	<b>Review</b>	<b>Approval</b>	<b>Date</b>
V1.2	First version	NAN LI	LQ LI	YH CHEN	07/05/2024

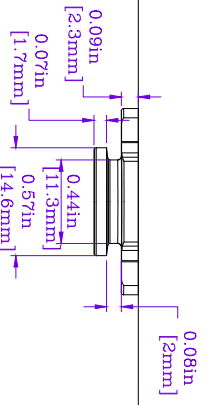


(NEMA 15-20 PLUG-ENLARGED)

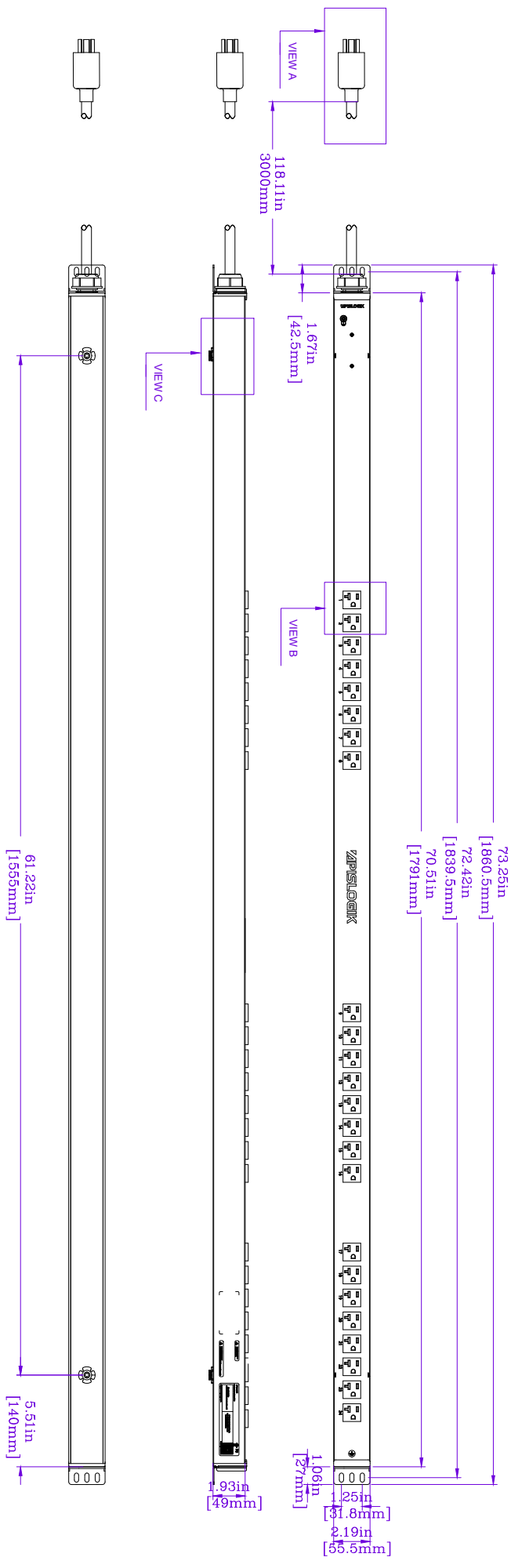
VIEW A



VIEW B

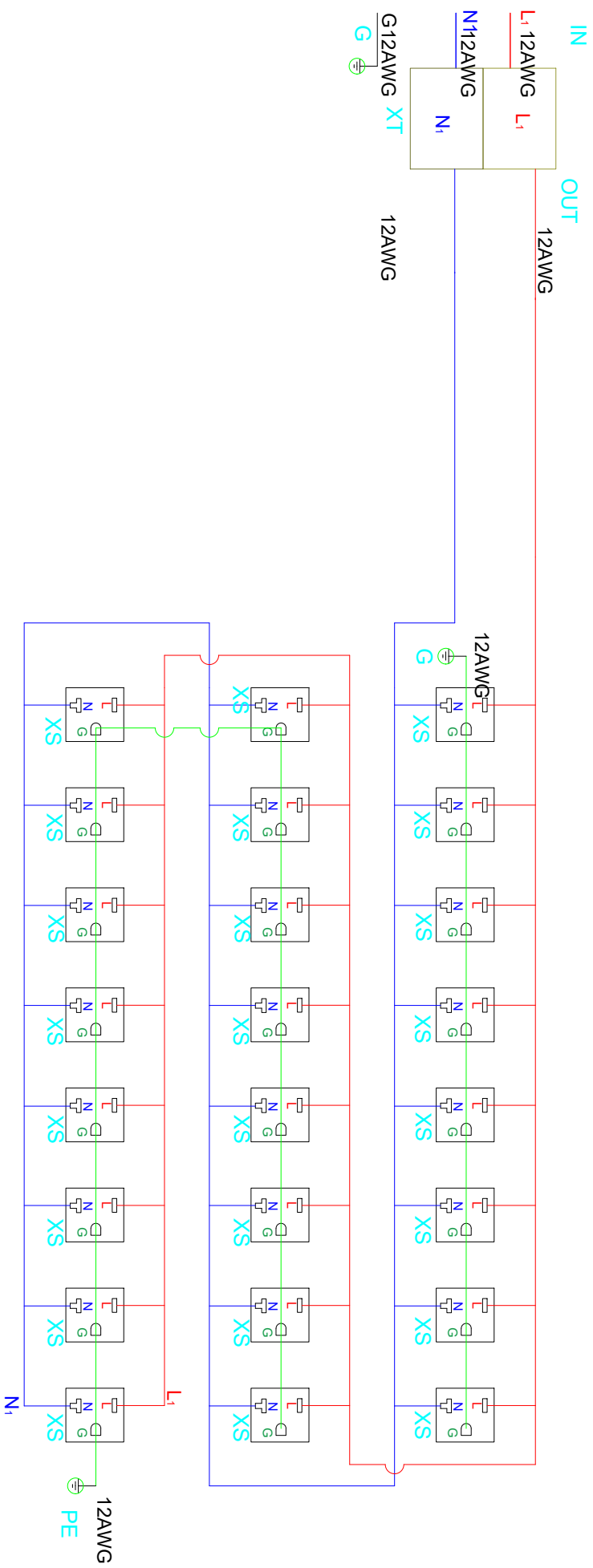


VIEW C



REV.	DESCRIPTION	DRAWN	CHECKEN	APPD.	DATE	NOTES:	Product Name: Basic PDU	DWG. NO.	SKU
E						1. INSTALLATION SHALL COMPLY WITH ALL APPLICABLE NATIONAL, STATE AND LOCAL CODES	Input Cable: 118.11 in 3*12AWG	HW: 039240508605	AKB002030U
D						2. PLEASE REFER TO PRODUCT DOCUMENTATION FOR FURTHER INFORMATION.	Outlet: (24) NEMA 5-20R	MODEL	
C						3. UNLESS OTHERWISE SPECIFIED, ALL DIMENSIONS ARE IN INCHES (MILLIMETERS)	Rack Unit: 0U	K10A7A4-16S0024A179IEES01-20T	
B						APISLOGIK PROPRIETARY AND CONFIDENTIAL INFORMATION	Incoming Mode: Top Feed	PRODUCT CODE	
A	First edition	NAN LI	LQ LI	YH CHEN	8/6/2024	This document is the property of APISLOGIK and contains proprietary information of APISLOGIK. This document is loaned on the express condition that neither it nor the information contain shall be disclosed to others without the express written consent of APISLOGIK and that the information shall be used by the recipient only as approved expressly by APISLOGIK. This document shall be returned to APISLOGIK upon its request.	Mounting Location: Dual-sided	K10A7A4-16S0024A179IEES01-20T	
REV.	DESCRIPTION	DRAWN	CHECKEN	APPD.	DATE		Enclosure Material: Aluminum Alloy	DO NOT SCALE DRAWING	SHEET 1 OF 2
							Enclosure Color: Black	REV.	

Symbol Interpretation			
XT	Terminal blocks	IN	Input
TA	Current transformer	OUT	Output
PA	Intelligent meter	F	Hot plug lightning protection
XS	jack	CB	Circuit breaker
PE	landing	S1/S2	Current transformer Input/output



Note: The color of the connecting line is only for reference to the phase pole, and the actual color is subject to the actual material.

REV.	DESCRIPTION	DRAWN	CHECKEN	APPD	DATE
E					
D					
C					
B					
A	First edition	NAN LI	LQ LI	YH CHEN	8/5/2024

**NOTES:**  
 1. INSTALLATION SHALL COMPLY WITH ALL APPLICABLE NATIONAL, STATE AND LOCAL CODES.  
 2. PLEASE REFER TO PRODUCT DOCUMENTATION FOR FURTHER INFORMATION.  
 3. UNLESS OTHERWISE SPECIFIED, ALL DIMENSIONS ARE IN INCHES (MILLIMETERS).  
 APISLOGIK PROPRIETARY AND CONFIDENTIAL INFORMATION  
 This document is the property of APISLOGIK and contains proprietary information of APISLOGIK. This document is loaned on the express condition that neither it nor the information contain shall be disclosed to others without the express written consent of APISLOGIK and that the information shall be used by the recipient only as approved expressly by APISLOGIK. This document shall be returned to APISLOGIK upon its request.

Product Name: Basic PDU  
 Input Cable: 118.11 in 3\*12AWG  
 Outlet: (24) NEMA 5-20R  
 Rack Unit: 0U  
 Incoming Mode: Top Feed  
 Mounting Location: Dual-sided  
 Enclosure Color: Black  
 Enclosure Material: Aluminum Alloy  
 INPUT: 100-120 V AC, 50/60HZ, 16A  
 OUTPUT: 100-120 V AC, 16A TOTAL  
 5-20R, 16A PER OUTLET

**APISLOGIK**

DWG NO.	SKU
HW: 039240508805	AKB002030U
MODEL	
K10A17A4-16S0024A1791EES01-20T	
PRODUCT CODE	
K10A17A4-16S0024A1791EES01-20T	
	REV. A
SHEET 2 OF 2	